

GP36-1101SS Stainless Steel Latch With Safety Catch

Features

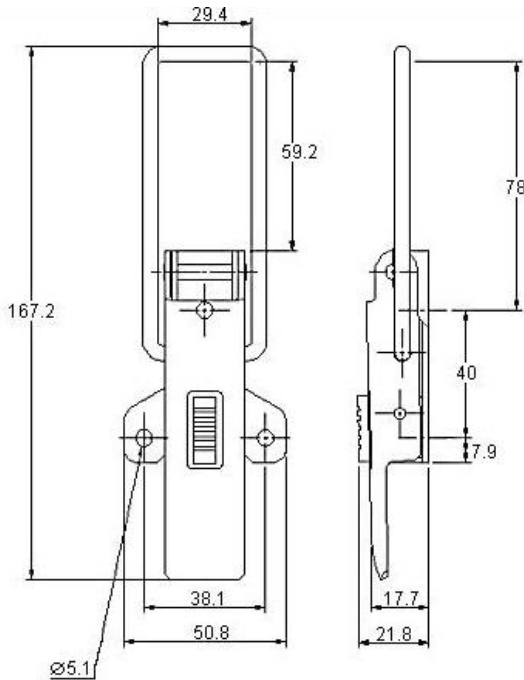
- Non-adjustable medium duty fastener or draw latch with safety catch to prevent accidental opening

Material

- Stainless steel 304, natural

Product Performance

- Ultimate strength: 550 kg
- Safe working load: 225 kg



Part No.
GP36-1101SS

GP05-1058SS Stainless Steel Catch Plate

Features

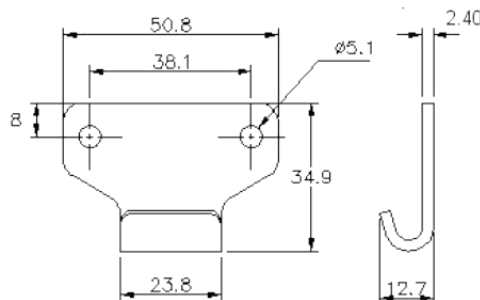
- Catch plate or strike plate suitable for above GP36-1101SS latch

Material

- Stainless steel 304, natural

Product Performance

- Ultimate strength: 620 kg
- Safe working load: 310 kg



Part No.
GP05-1058SS